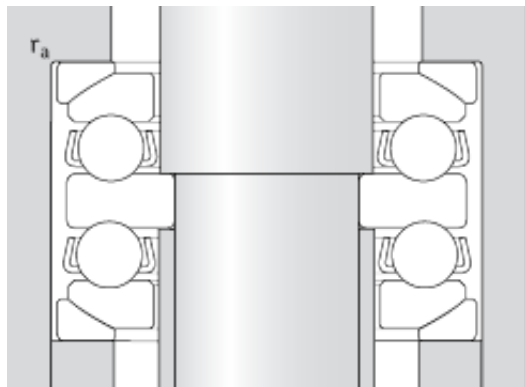




NTN Bearing Driveshaft do Brasil



25 mm x 60 mm x 9 mm skf 54306 + U 306
Thrust ball bearings, double direction

Bearing No. 54306 + U 306

54306 + U 306 Bearing 2D drawings and 3D CAD models

d	25 mm
D	60 mm
H	41.3 mm
H ₁	46 mm
D ₁	32 mm
D ₂	45 mm
D ₃	62 mm
B	9 mm
C	7 mm
R	50 mm
s	19.5 mm
r _{1,2} min.	1 mm
r _{3,4} min.	0.3 mm
d _a	30 mm
D _a max.	45 mm
r _a max.	1 mm
r _b max.	0.3 mm
Basic dynamic load rating C	35.8 kN
Basic static load rating C ₀	65.5 kN
Fatigue load limit P _u	2.4 kN
Reference speed	2800 r/min
Limiting speed	3800 r/min
Minimum load factor A	0.026
Mass bearing (including seat washer where applicable)	0.58 kg