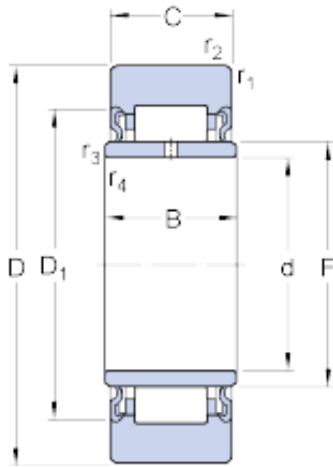




NTN Bearing Driveshaft do Brasil



8 mm x 24 mm x 12 mm 8 mm x 24 mm x 12 mm skf NA 22/8.2RSX Support rollers without flange rings with an inner ring

Bearing No. NA 22/8.2RSX

NA 22/8.2RSX Bearing 2D drawings and 3D CAD models

Size	8x24x11.8 mm
Bore Diameter	8 mm
Outer Diameter	24 mm
Width	11,8 mm
D	24 mm
d	8 mm
C	11.8 mm
B	12 mm
D ₁	18 mm
F	12 mm
r _{1,2} - min.	0.3 mm
r _{3,4} - min.	0.3 mm
Basic dynamic load rating - C	4.7 kN
Basic static load rating - C ₀	4.6 kN
Fatigue load limit - P _u	0.54 kN
Maximum dynamic radial loads - F _r	5.3 kN
Maximum static radial loads - F _{0r}	7.5 kN
Limiting speed	6700 r/min
Category	Bearings
Inventory	0.0
Manufacturer Name	SKF
Minimum Buy Quantity	N/A



NTN Bearing Driveshaft do Brasil

Weight / Kilogram	0
Product Group	B04144
D_1	18 mm
$r_{1,2}$ min.	0.3 mm
$r_{3,4}$ min.	0.3 mm
Basic dynamic load rating C	4.68 kN
Basic static load rating C_0	4.55 kN
Fatigue load limit P_u	0.54 kN
Maximum dynamic radial load F_r max.	5.3 kN
Maximum static radial load F_{0r} max.	7.5 kN
Mass support roller	0.034 kg