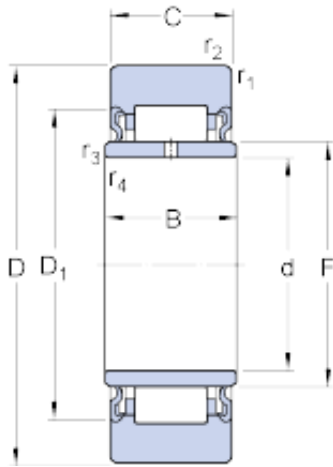




NTN Bearing Driveshaft do Brasil



12 mm x 32 mm x 14 mm 12 mm x 32 mm x 14 mm skf NA 2201.2RSX Support rollers without flange rings with an inner ring

Bearing No. NA 2201.2RSX

NA 2201.2RSX Bearing 2D drawings and 3D CAD models

Size	12x32x13.8 mm
Bore Diameter	12 mm
Outer Diameter	32 mm
Width	13,8 mm
D	32 mm
d	12 mm
C	13.8 mm
B	14 mm
D ₁	22 mm
F	16 mm
r _{1,2} - min.	0.6 mm
r _{3,4} - min.	0.3 mm
Basic dynamic load rating - C	7 kN
Basic static load rating - C ₀	8.5 kN
Fatigue load limit - P _u	1 kN
Maximum dynamic radial loads - F _r	11.6 kN
Maximum static radial loads - F _{0r}	16.6 kN
Limiting speed	6000 r/min
Category	Cam Follower and Track Roller - Yoke Type
Inventory	0.0
Manufacturer Name	SKF



NTN Bearing Driveshaft do Brasil

Minimum Buy Quantity	N/A
Weight / Kilogram	0.07
EAN	7316577726667
Product Group	B04144
Roller Surface Profile	Flat
Profile	Yoke Type
Enclosure	Sealed
Rolling Element	Needle Bearing
Relubricatable	Yes
Inch - Metric	Metric
Other Features	Caged With Inner Ring Lip Seal
Long Description	12MM Bore; 32MM Roller Diameter; 13.8MM Roller Width; Flat Roller; Yoke Type; Sealed; Needle Bearing; Relubricatable
Category	Cam Followers Yoke Type
UNSPSC	31171530
Harmonized Tariff Code	8482.40.00.00
Noun	Bearing
Keyword String	Cam Follower
Manufacturer URL	http://www.skf.com
Manufacturer Item Number	NA 2201.2RSX
Weight / LBS	0.148
Bore	0.472 Inch 12 Millimeter
Roller Diameter	1.26 Inch 32 Millimeter
Roller Width	0.543 Inch 13.8 Millimeter
D ₁	22 mm
r _{1,2} min.	0.6 mm
r _{3,4} min.	0.3 mm
Basic dynamic load rating C	7.04 kN
Basic static load rating C ₀	8.5 kN
Fatigue load limit P _u	1 kN



NTN Bearing Driveshaft do Brasil

Maximum dynamic radial load F_r max.	11.6 kN
Maximum static radial load F_{0r} max.	16.6 kN
Mass support roller	0.067 kg