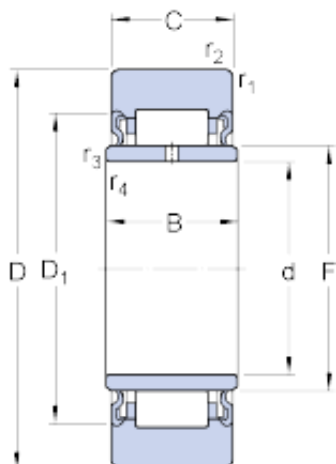




NTN Bearing Driveshaft do Brasil



35 mm x 72 mm x 23 mm 35 mm x 72 mm x 23 mm skf NA 2207.2RSX Support rollers without flange rings with an inner ring

Bearing No. NA 2207.2RSX

NA 2207.2RSX Bearing 2D drawings and 3D CAD models

Size	35x72x22.7 mm
Bore Diameter	35 mm
Outer Diameter	72 mm
Width	22,7 mm
D	72 mm
d	35 mm
C	22.7 mm
B	23 mm
D ₁	50 mm
F	42 mm
r _{1,2} - min.	1.1 mm
r _{3,4} - min.	0.6 mm
Basic dynamic load rating - C	22.4 kN
Basic static load rating - C ₀	35.5 kN
Fatigue load limit - P _u	4.3 kN
Maximum dynamic radial loads - F _r	38 kN
Maximum static radial loads - F _{0r}	54 kN
Limiting speed	2200 r/min
D ₁	50 mm
r _{1,2} min.	1.1 mm
r _{3,4} min.	0.6 mm
Basic dynamic load rating C	22.4 kN



NTN Bearing Driveshaft do Brasil

Basic static load rating C_0	35.5 kN
Fatigue load limit P_u	4.3 kN
Maximum dynamic radial load F_r max.	38 kN
Maximum static radial load F_{0r} max.	54 kN
Mass support roller	0.51 kg