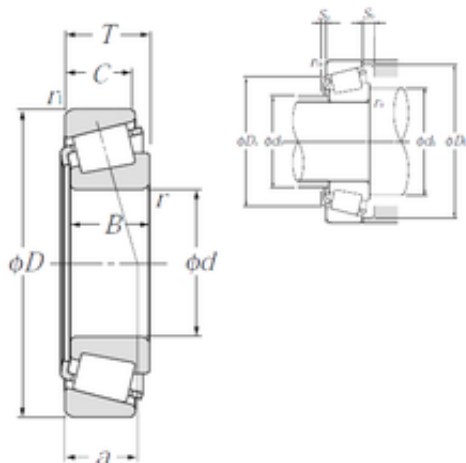




## NTN Bearing Driveshaft do Brasil

45 mm x 75 mm x 24 mm NTN 4T-33009 Single row tapered roller bearings

Bearing No. 4T-33009



4T-33009 Bearing 2D drawings and 3D CAD models

Size	45x75x24 mm
Bore Diameter	45 mm
Outer Diameter	75 mm
Width	24 mm
d	45 mm
D	75 mm
T	24 mm
B	24 mm
C	19 mm
ra1 max.	1 mm
a	16 mm
r min.	1 mm
r1 min.	1 mm
da min.	50,5 mm
Da min	67 mm
Da max.	69,5 mm
db max.	51 mm
Db min.	71 mm
ra max.	1 mm
Sa	4 mm
Sb	5 mm
Weight	0,398 Kg
Basic dynamic load rating (C)	66 kN
Basic static load rating (C0)	93,5 kN
(Grease) Lubrication Speed	4 800 r/min



## NTN Bearing Driveshaft do Brasil

(Oil) Lubrication Speed	6 400 r/min
Calculation factor (e)	0,29
Calculation factor (Y0)	1,12
d1	60 mm
rs min	1 mm
r1s min	1 mm
e	0.29
Y2	2.04
Y0	1.12
Mass	0.4 kg
ISO 355 reference	T2CE045
Dynamic load, C	66 kN
Rating life coefficient, A2	1.4
Static load, C0	93.5 kN
Fatigue limit load, Cu	11.4 kN
Nlim (oil)	6,400 rpm
Nlim (grease)	4,800 rpm
Min operating temperature, Tmin	-40 ° C
Max operating temperature, Tmax	120 ° C
Characteristic cage frequency, FTF	0.44 Hz
Characteristic rolling element frequency, BSF	8.35 Hz
Characteristic outer ring frequency, BPF0	9.72 Hz
Characteristic inner ring frequency, BRFI	12.28 Hz
da max	51 mm
db min	50.5 mm
Da max	69.5 mm
Db min	71 mm
Ca min	4 mm



## NTN Bearing Driveshaft do Brasil

Cb min	5 mm
ra max	1 mm
r1a max	1 mm
Category	Bearings
Inventory	0.0
Manufacturer Name	NTN
Minimum Buy Quantity	N/A
Weight / Kilogram	0.398
Product Group	B04334